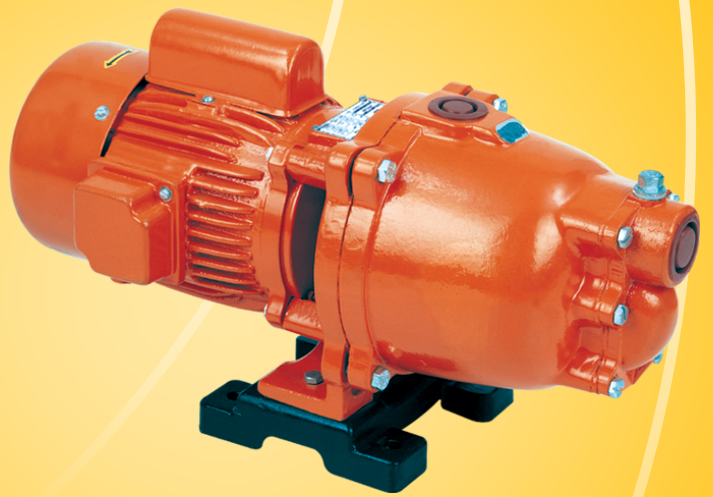




# GOLDEN

Shallow Well Jet Pump  
GJP - Series



**GOLDEN PUMPS (PVT) LTD.**  
Climax Town, Pindi Bypass,  
G. T. Road, Gujranwala, PAKISTAN  
Tel: +92 55 3857621, 3857622  
E-mail: sales@goldenpumps.com.pk  
Web: www.goldenpumps.com.pk





## GOLDEN Shallow Well Jet Pump GJP-series

### Function:

Shallow Well Jet Pump works by an imbalance in air pressure, similar to the way that fluid is sucked up a straw. The pump is primed by being poured full of water. When engaged, the impellers in the pump spin, moving the water and air pockets through. The air vents through the emergency cutoff valve to create an area of uninterrupted low pressure, which naturally pulls the groundwater upward. When the water reaches the jet, the narrowed pipe diameter acts to speed water flow all the way to the venturi, which may be some distance away. When in the venturi, the increased pipe diameter causes the water to pool until so much water fills the pipe that it reaches a higher pressure. This pressure is the means by which water flows through the filtration system, hot water heater and out the various taps of the residence etc.

### Application:

Shallow well jet pump is commonly used where there is no access to a city water supply. These pumps are ideal for residences, industrial applications, car washing, tank emptying, gardening, fountains and small irrigation etc. Their only drawback is that they cannot draw water from more than 25 feet below ground level.

### Construction:

Pump Volute, Impeller Cover, Venturi, Motor Body & Bearing Cups are in Cast Iron. Gaskets & O-rings are in Nitrile Rubber. Pin Adopter in Brass and Impeller assembly is in S.S. & Brass. Moreover, Motor Rotor and Stator are in Si. Electric Steel Sheet and 99.9% pure Copper wire is used for motor winding.

### Performance Chart

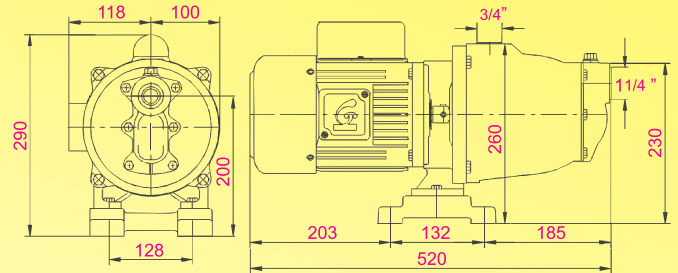
Model	Size	Motor			Depth of Water (ft)	Q - Capacity (lpm / US-gpm)								
		HP	kW	A		10	15	20	25	30	35	40	45	
						4.3	6.5	8.7	10.8	13.0	15.2	17.3	19.5	
GJP-0705	1 1/4" x 3/4"	0.5	0.33	3	10	87.6	82	75.5	70.5	65.5	60	44.5		
					15	85.5	80.5	74	69	63.5				
					20	92	84	79	72	62				
					25	90	82	74						

### Pump Performance Data:

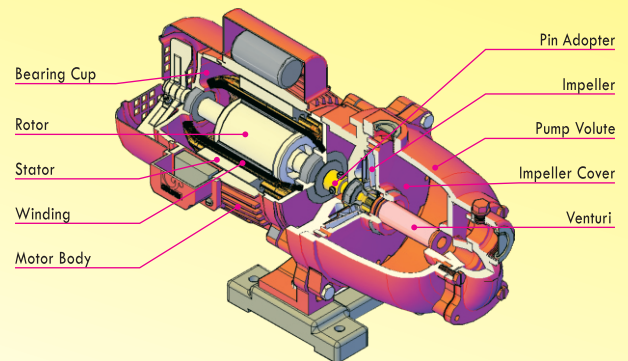
Capacity up to:	45 lpm (max.)
Head up to:	92 ft (max.)
Liquid:	Clean water
Liquid Temperature:	-15°C ~ +80°C
Maximum Ambient Temperature:	+40°C
Maximum Working Pressure:	6 bar
Motor:	Totally Enclosed Fan Cooled (IC411), IP-55, Ins. Class: F, S.F: 1.1, 220V, 50Hz, 2900rpm

### Installation:

Upon installation always prime the pump body before start up. The pump must be installed with motor shaft in the horizontal position.



NOTE: All Dimensions are in mm.



Cross-sectional View